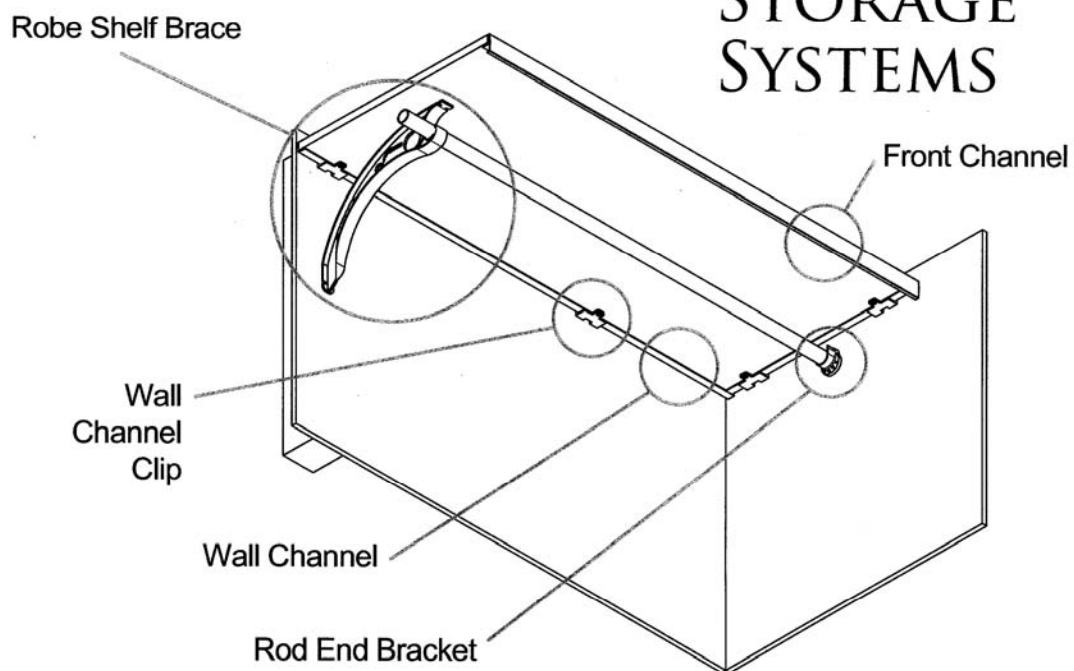


Rapi-mount

DIY Melamine shelving instructions

SIMPLY
BETTER
STORAGE
SYSTEMS



COPYRIGHT

This technical manual remains the property of Oz Shelving Systems Pty Limited and contains privileged information which is the subject of copyright and the manual or any part thereof may not be reproduced, copied or loaned in any form without the written permission of Oz Shelving Systems Pty Limited.

This manual is to be returned to Oz Shelving Systems Pty Limited when requested.

DISCLAIMER

Whilst every effort has been made to ensure the technical details contained within this manual are accurate, Oz Shelving Systems Pty Limited can take no responsibility for any loss or damage whatsoever arising as a result of any errors contained in this manual.

Also, interpretation of standards or codes within this manual is Oz Shelving Systems Pty Limited interpretation for such codes. Responsibility for code compliance remains with the user of this manual. In some cases product dimensions may vary or be changed without notice. The user of this manual should not act or rely upon on any information contained in this manual without first obtaining appropriate professional advice relating to their particular circumstances.

Oz Shelving Systems Pty Limited disclaims all liability for loss or damage suffered by any party who acts or fails to act in reliance of this manual.

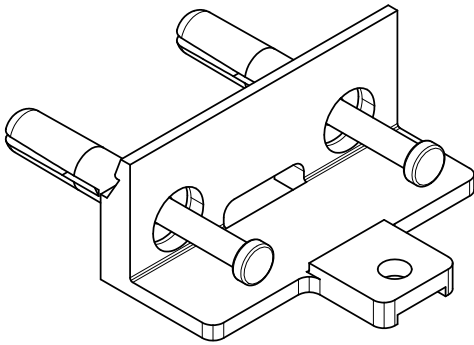
Table of contents

| | |
|----------------|---|
| Page 1 | Components |
| Page 2 | Components |
| Page 3 | Tools |
| Page 4 | Drilling |
| Page 5 | Drilling |
| Page 6 | Fix wall clips & bank of shelves |
| Page 7 | Fit gable & top shelf |
| Page 8 | Fit front channel |
| Page 9 | Fit hanging rod fans lock shelves in position |
| Page 10 | Bracing shelf |
| Page 11 | End view and typical fixing locations |

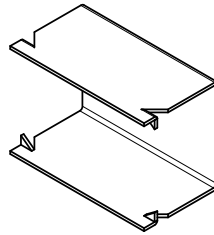
Rapi-Mount Components Gallery

Scale 1:1

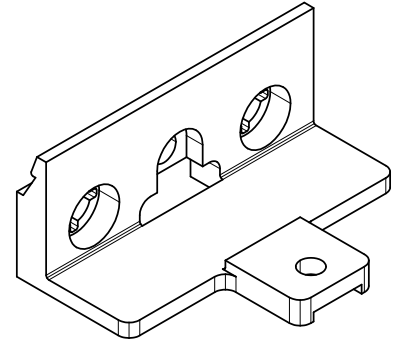
RM012
Pre-loaded wall clip
White



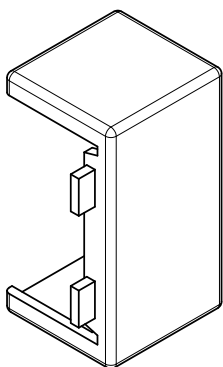
RM014
Spring Clip
Galvanised



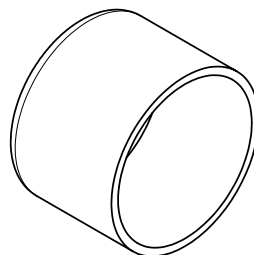
RM003
Wall Clip
White



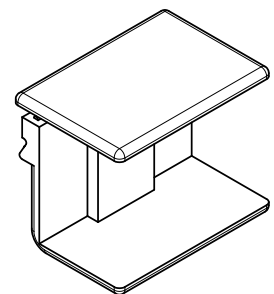
RM017
Front channel end caps
White



RM007
Rod end caps
White



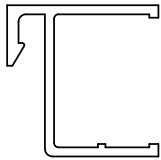
RM015
Back channel end cap
White



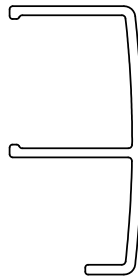
Rapi-Mount Components Gallery

Scale 1:1

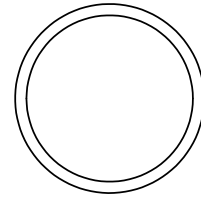
RM005
Back Channel



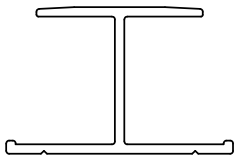
RM006
Front Channel



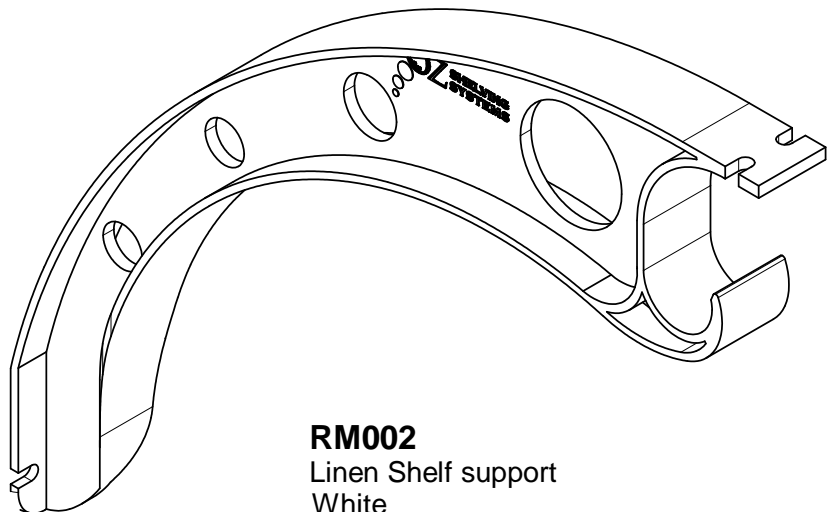
RM008
Hanging Rod



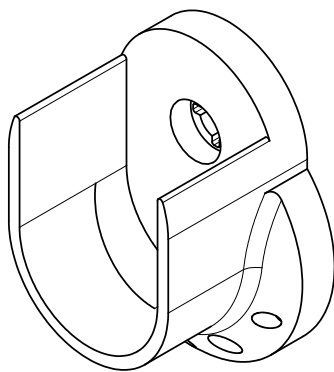
RM016
H-Mould



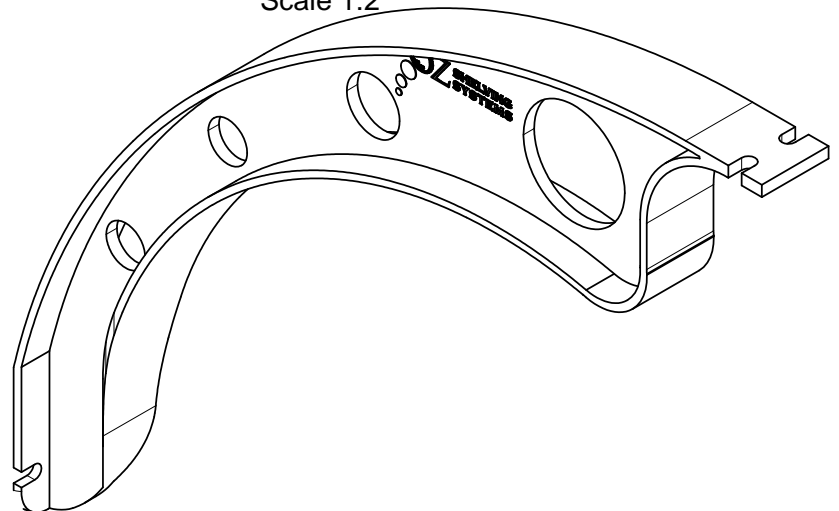
RM001
Robe Shelf support
White
Scale 1:2



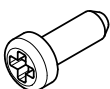
RM004
Rod End Bracket
White



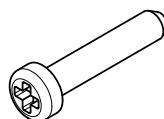
RM002
Linen Shelf support
White
Scale 1:2



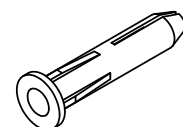
RM013
Pan 8g x 13 screw
White head



RM025
Pan 8g x 25 screw
White head

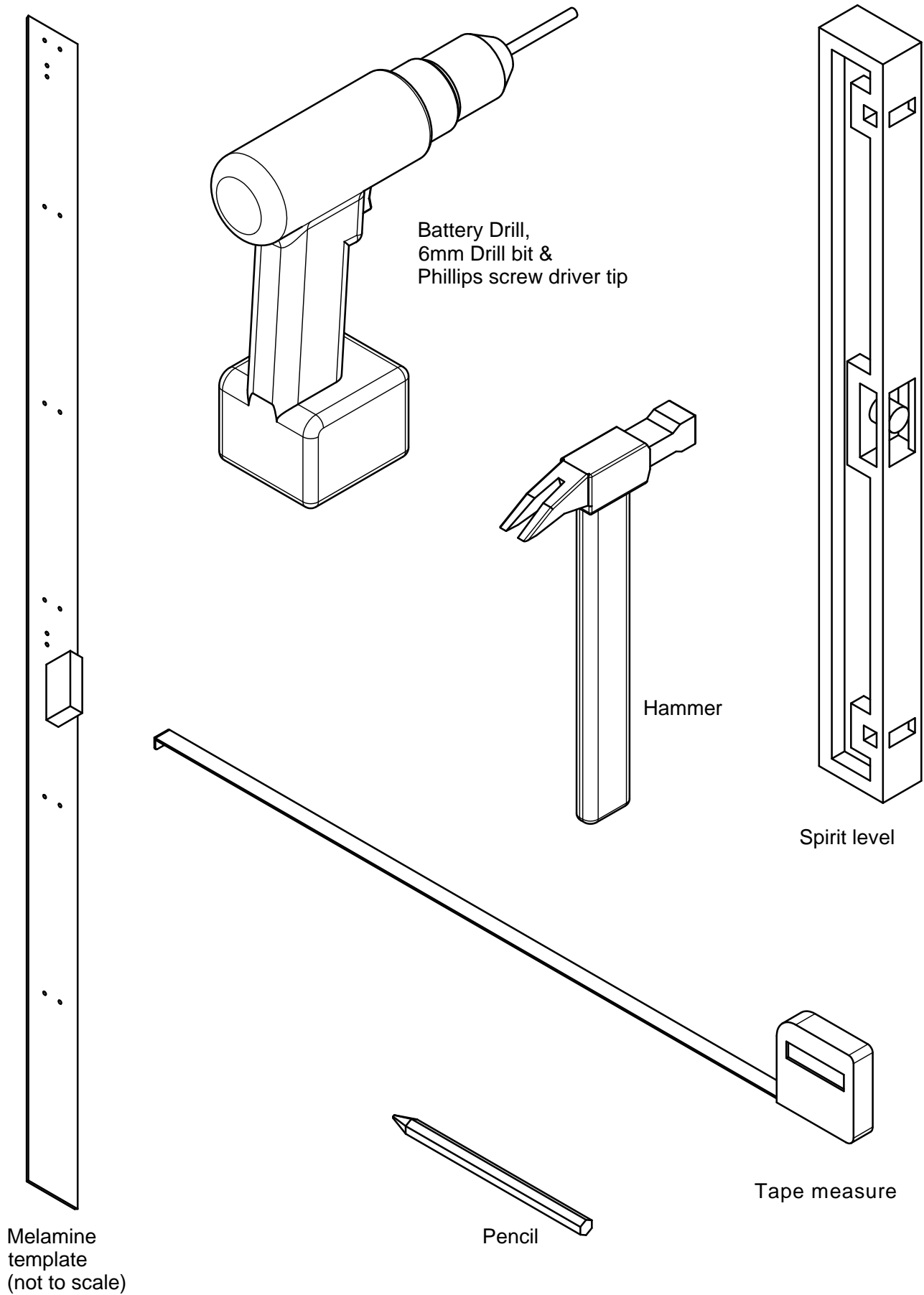


RM009
Wall plug
Grey

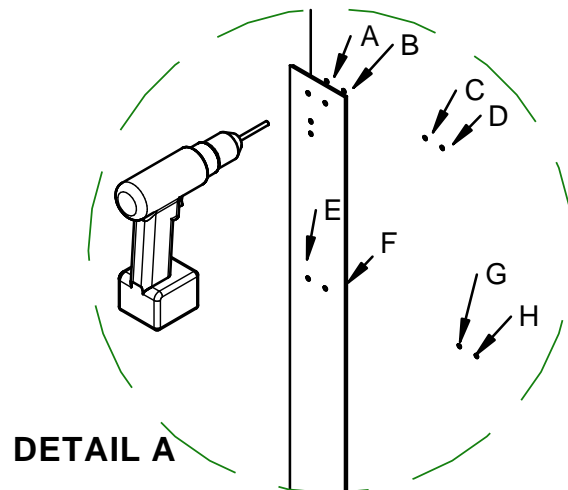
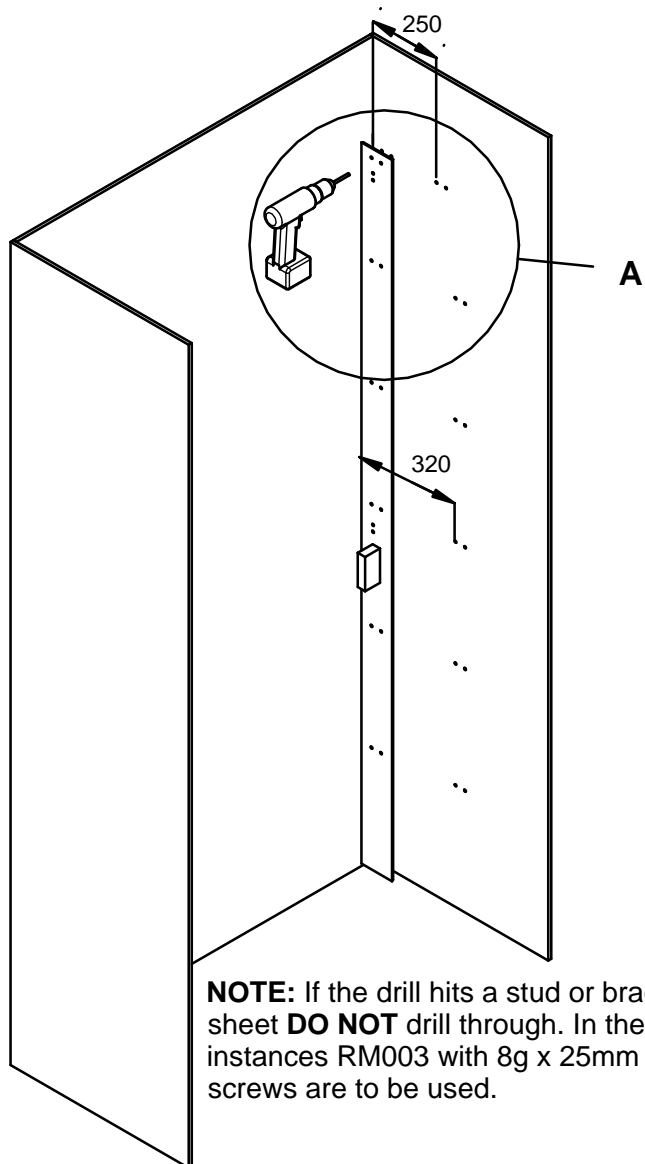


Rapi-mount installation (Tools)

Scale 1:3



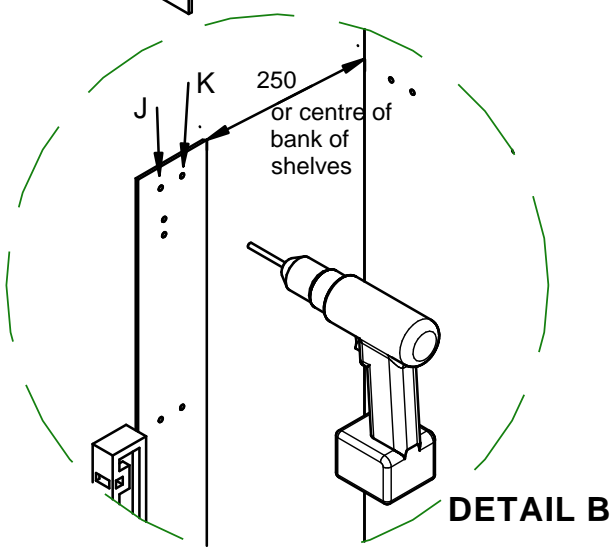
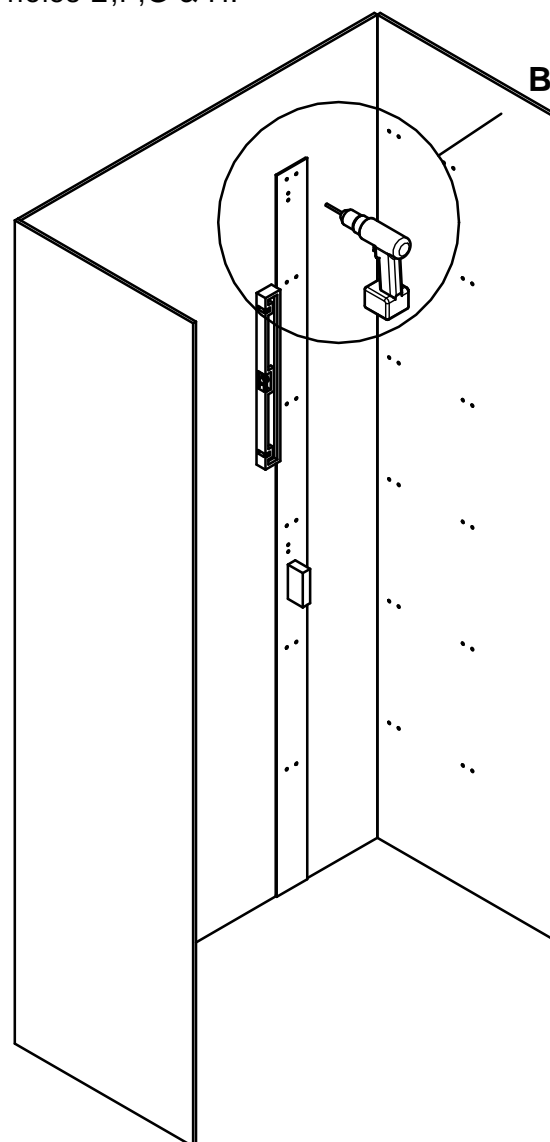
Installation Step 1 & 2 - Drilling



STEP 1 Drilling end wall

When top shelf is 290mm deep
drill holes A,B,C & D

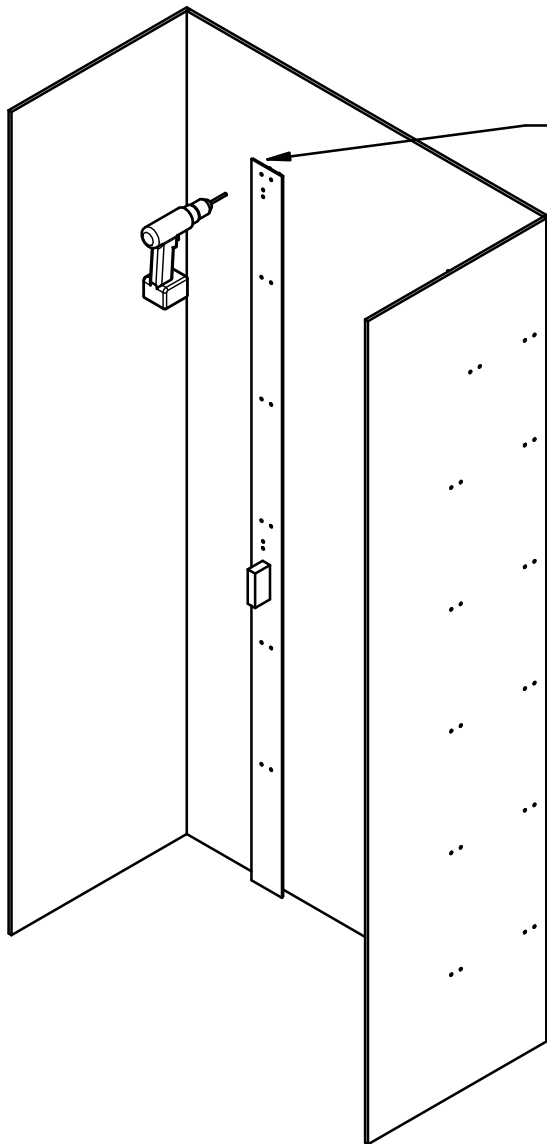
For 390mm or 440mm deep shelves,
drill holes E,F,G & H.



STEP 2 Drilling back wall

Drill holes J & K

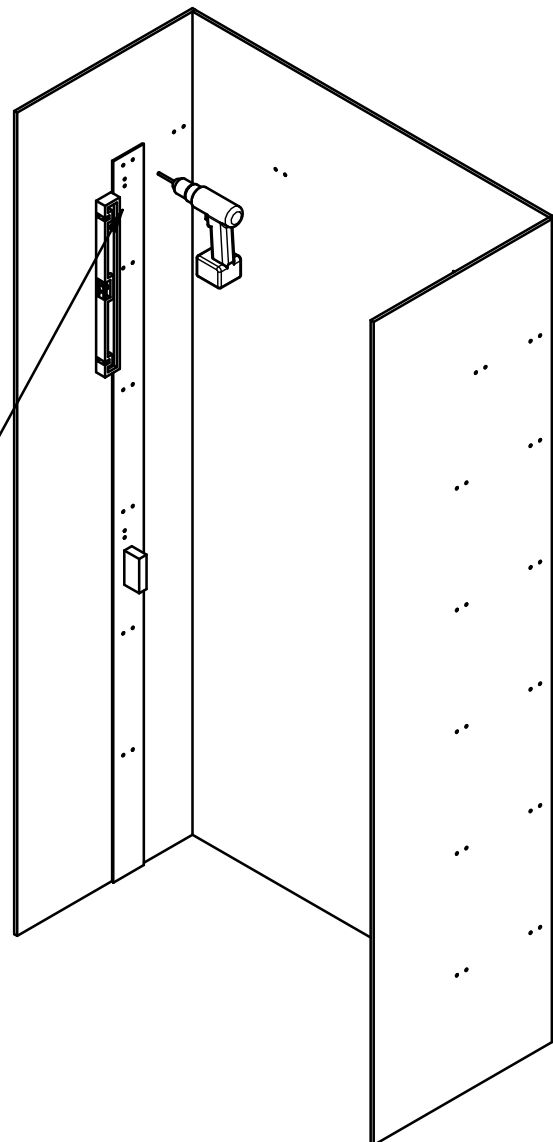
Installation Step 3 & 4 - Drilling cont.



STEP 3

Move drill template by approx 600mm, then drill the next 2 holes.

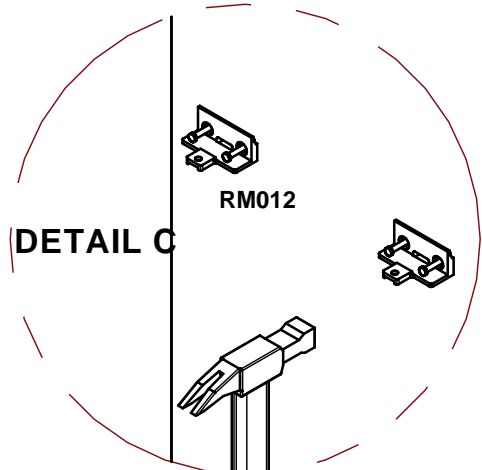
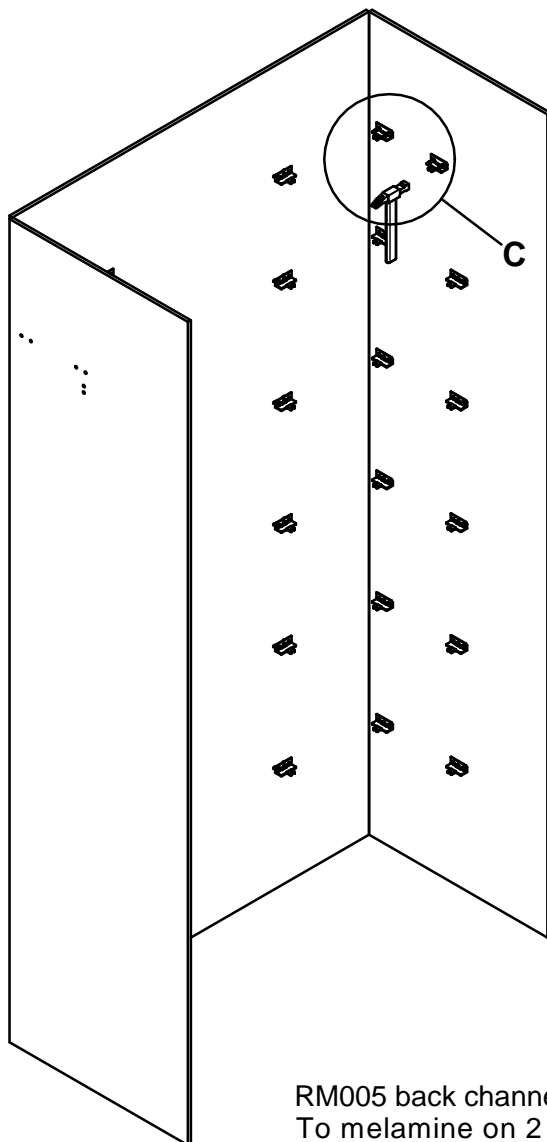
NOTE: If the drill hits a stud or bracing sheet **DO NOT** drill through. In these instances RM003 with 8g x 25mm screws are to be used.



STEP 4

Finishing drilling all appropriate shelf holes not forgetting to drill the holes for the RM004 rod end bracket

Installation Step 5 & 6 - Fit Wall Clips



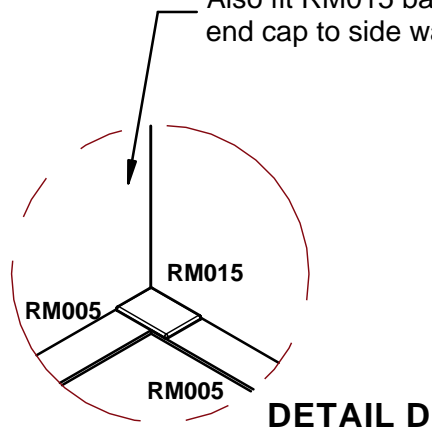
STEP 5

Fit RM012 pre-loaded wall clips into pre-drilled wall.

NOTE: RM003 wall clips will need to be used when a stud or wall bracing is struck.

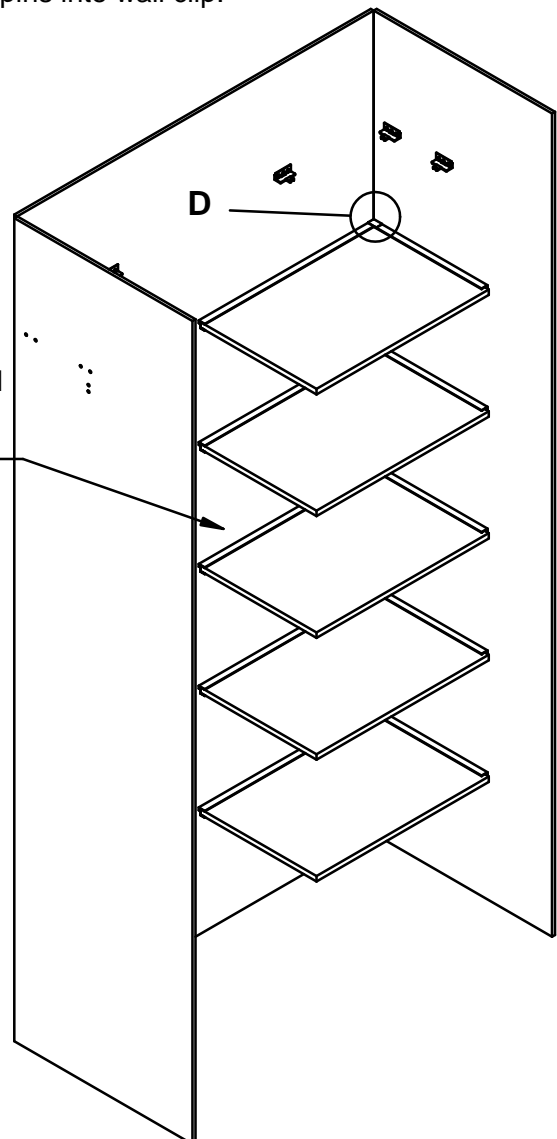
Using hammer to push the steel pins into wall clip.

RM005 back channel to be fitted To melamine on 2 sides.
Also fit RM015 back channel end cap to side wall channel.

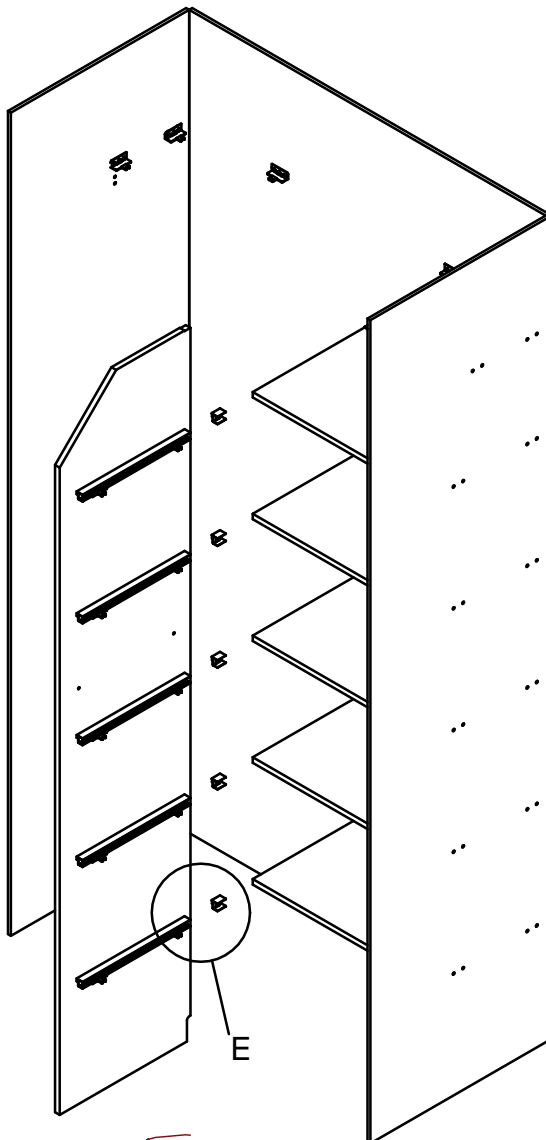


STEP 6

Starting from the bottom shelf, place shelf so that RM005 back channel fits over wall clip tapping down at each wall clip position so as to secure in place.

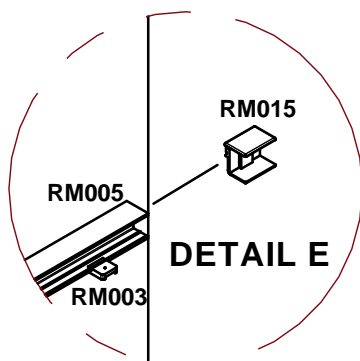


Installation Step 7 & 8 - Fit Gable & Top Shelf



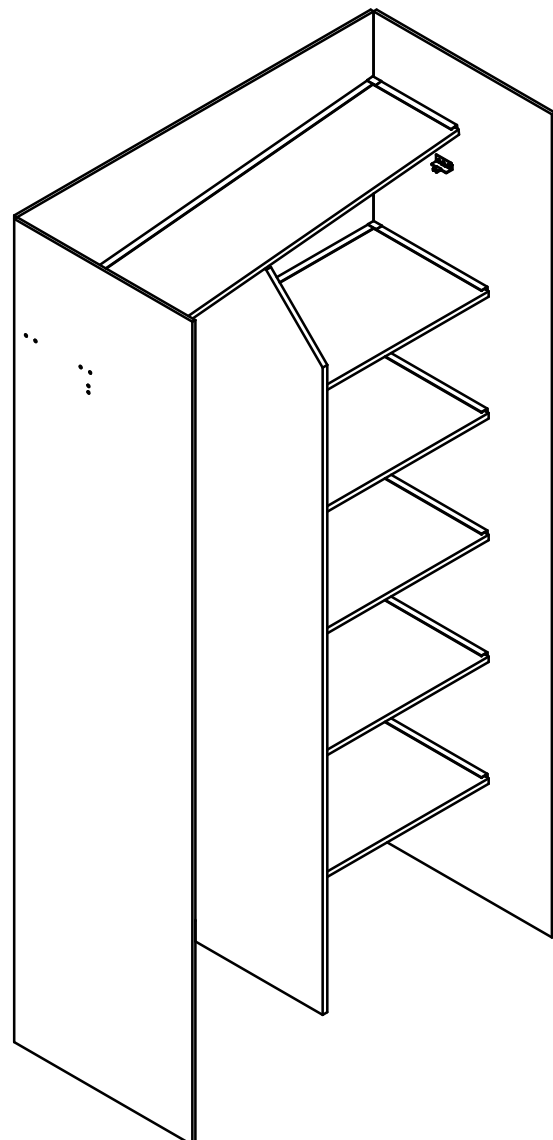
STEP 7

With RM003 wall clips fastened to gable and RM005 channel clipped on, slide gable onto end of shelves. RM015 also needs to be fitted on the end of the RM005 channel.

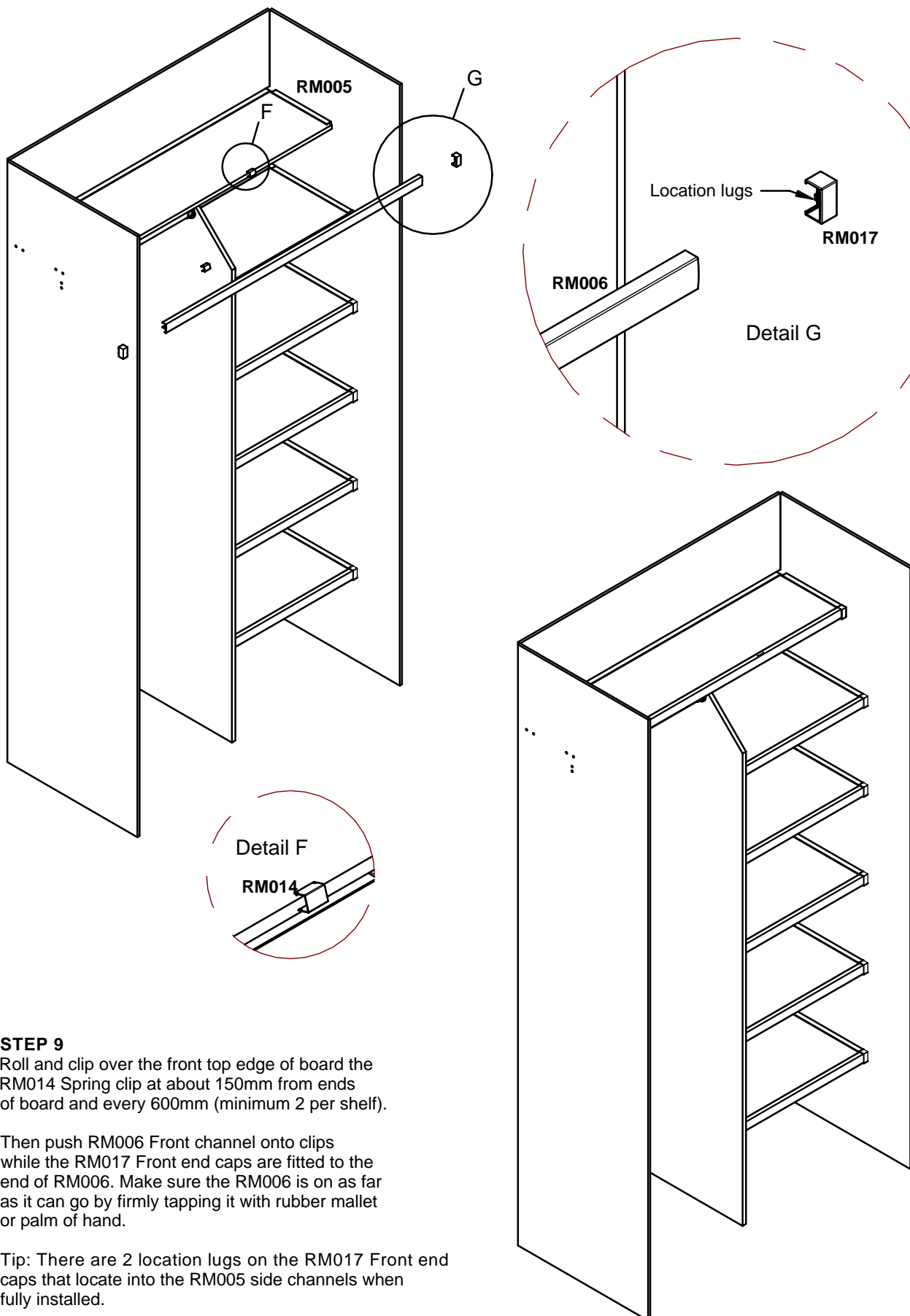


STEP 8

With RM005 back channel on 3 sides of top shelf, locate one end, then lower the over end into place tapping down at where the wall clip are positioned to secure shelf in place.



Installation Steps 9 & 10 -Front Channel



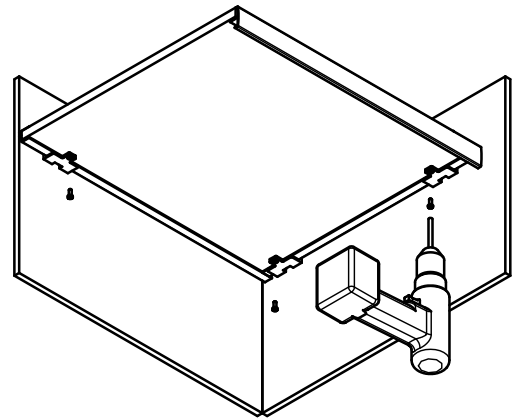
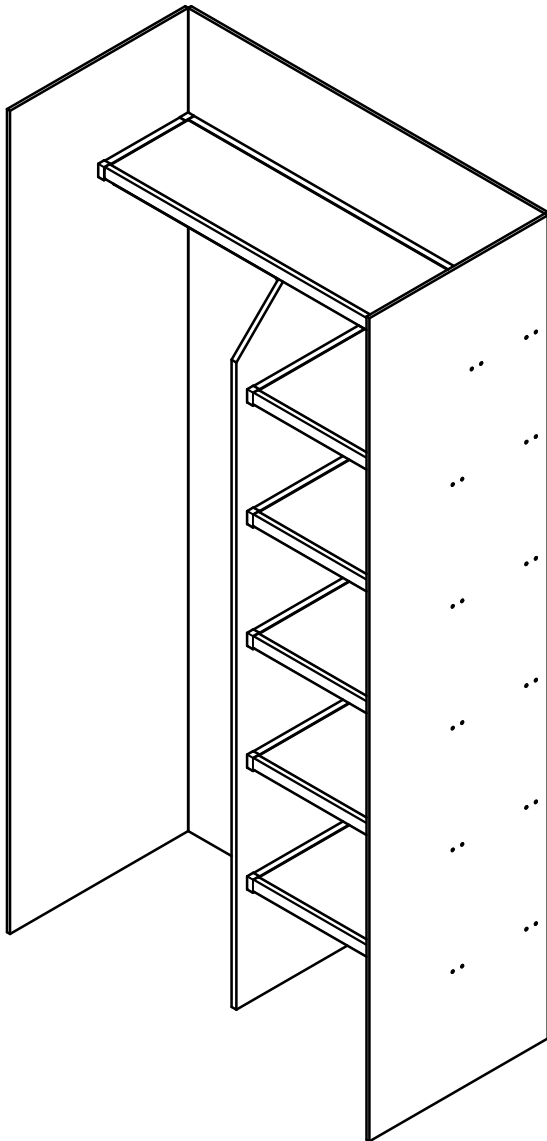
STEP 9

Roll and clip over the front top edge of board the RM014 Spring clip at about 150mm from ends of board and every 600mm (minimum 2 per shelf).

Then push RM006 Front channel onto clips while the RM017 Front end caps are fitted to the end of RM006. Make sure the RM006 is on as far as it can go by firmly tapping it with rubber mallet or palm of hand.

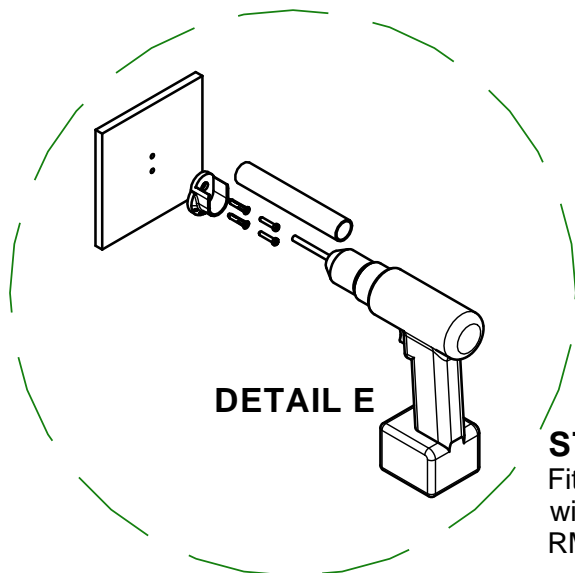
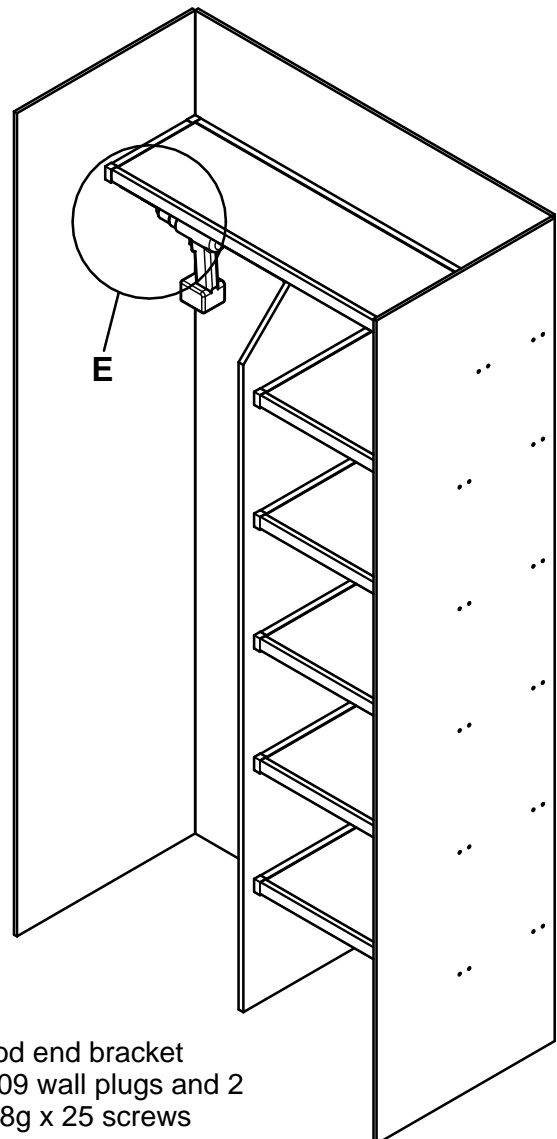
Tip: There are 2 location lugs on the RM017 Front end caps that locate into the RM005 side channels when fully installed.

Installation Step 11 & 12 - Fit Hanging Rod & Lock Shelves to Wall



STEP 11

Fasten through wall clips with RM013 pan 8g x 12 screws @ 600 ctrs with a minimum of 3 screws per shelf.

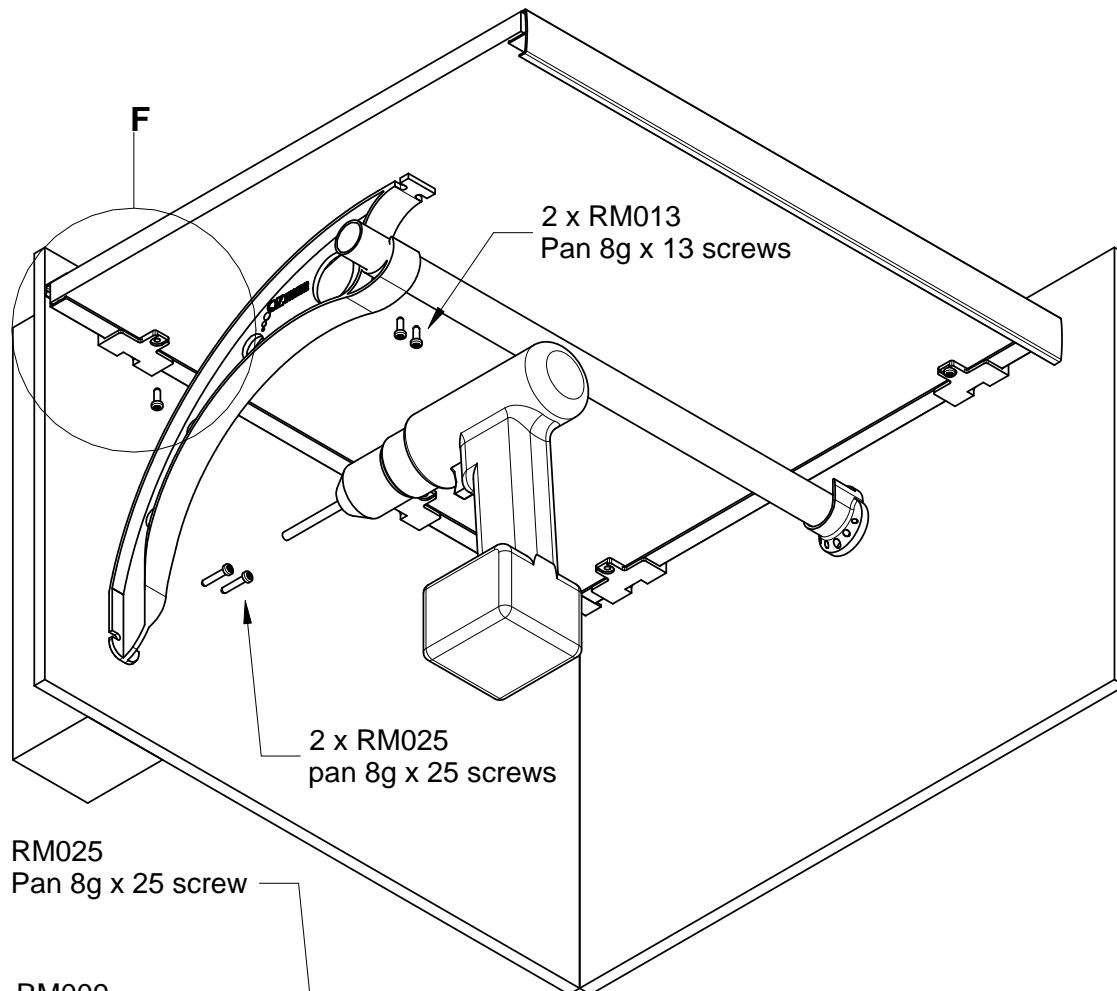


DETAIL E

STEP 12

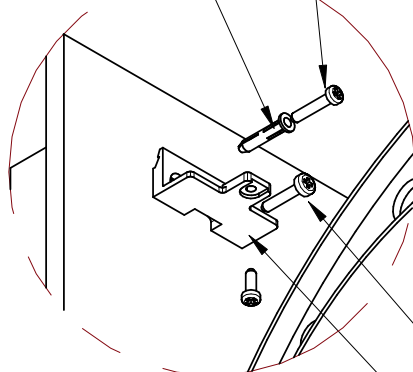
Fit RM004 rod end bracket with 2 RM009 wall plugs and 2 RM025 pan 8g x 25 screws

Installation Step 13 - Bracing Shelf



RM025
Pan 8g x 25 screw

RM009
Wall plug



DETAIL F
Exposed view of
fixing details as described
in note

RM025
Pan 8g x 25 screw

RM003
Wall clip

NOTE: Shelf brace must always pick up on a wall stud. When a the wall clip happens to be fixed to a wall stud you may find that only one fixing actually hits the stud. Use a RM009 wall plug and pan head 8g x 25 screw in the other hole.

End View of Fixing Location

